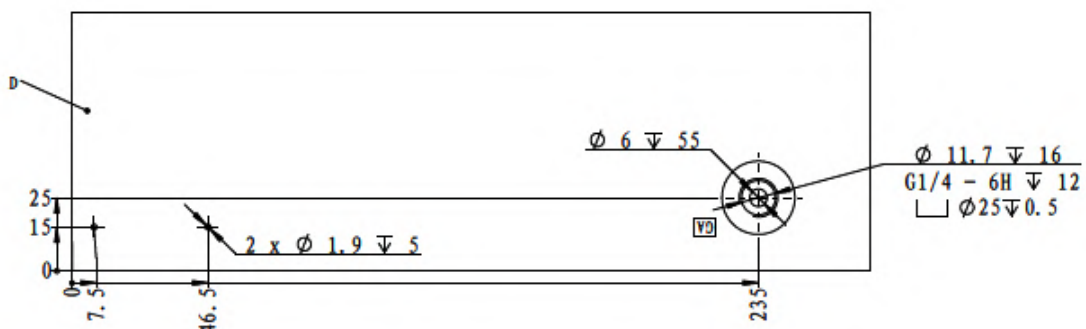
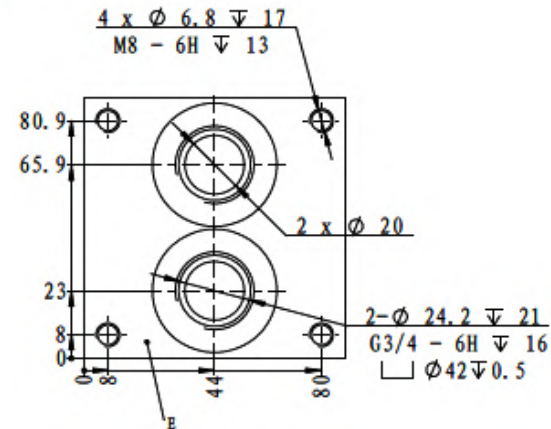
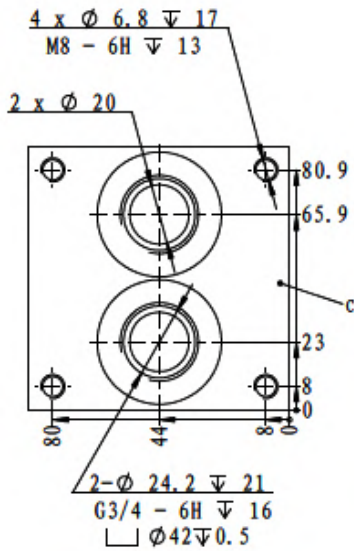
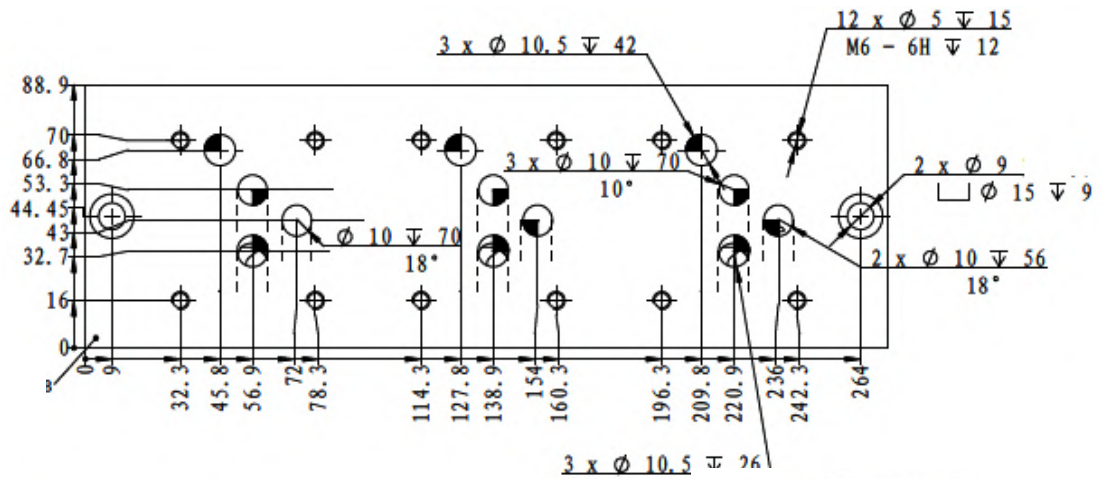
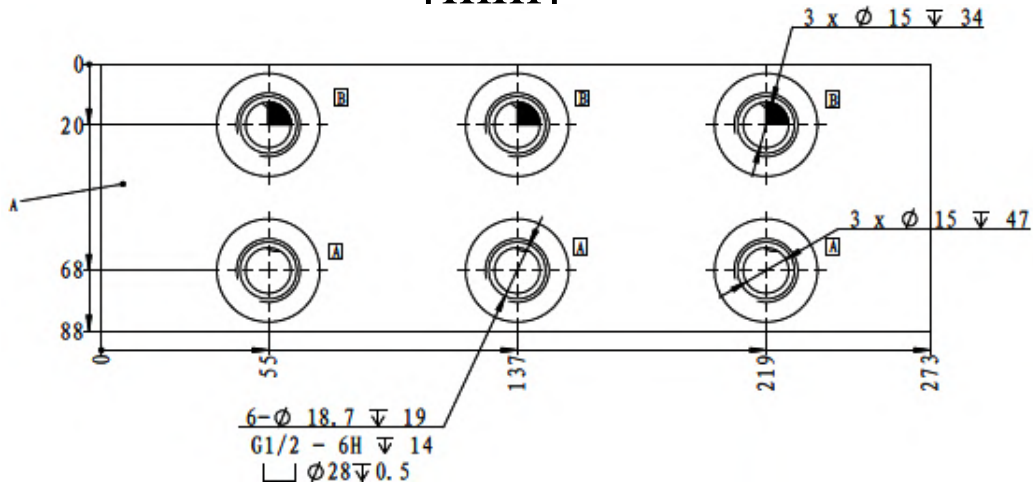


[mm]



13790 NG10 - 2M dimenzije (d/š/v) / dimensions (l/w/h) : 191 x 88,9 x 88 mm

13791 NG10 - 3M dimenzije (d/š/v) / dimensions (l/w/h) : 273 x 88,9 x 88 mm

13792 NG10 - 4M dimenzije (d/š/v) / dimensions (l/w/h) : 355 x 88,9 x 88 mm

13793 NG10 - 5M dimenzije (d/š/v) / dimensions (l/w/h) : 437 x 88,9 x 88 mm

Max. pretok / Max. flow	<i>[l/min]</i>	120
Max. tlak / Max. pressure	<i>[bar]</i>	315